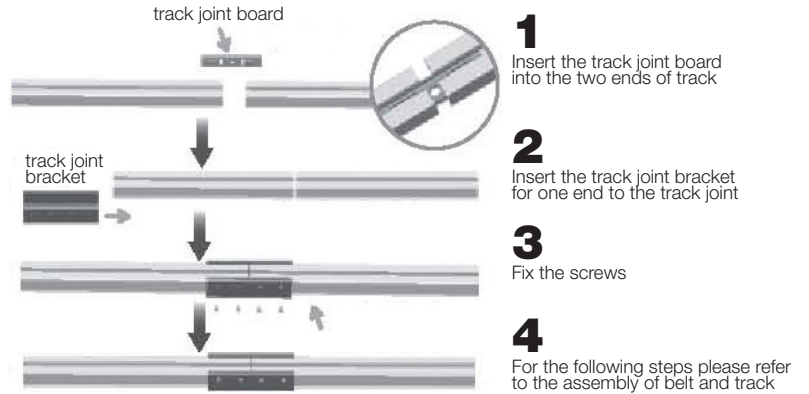


## TRACK JOINING & INSTALLATION

### The joint assembly of track

*NOTE: The track needs to be joined when the length is greater than 6 metres.*

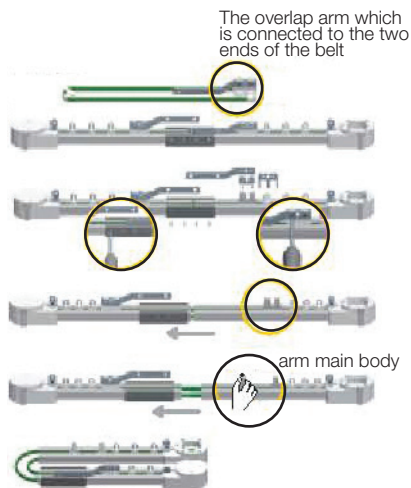
*NOTE: The track needs to be joined when inconvenient to transport*



### Folding method for joint track (for easy transit)

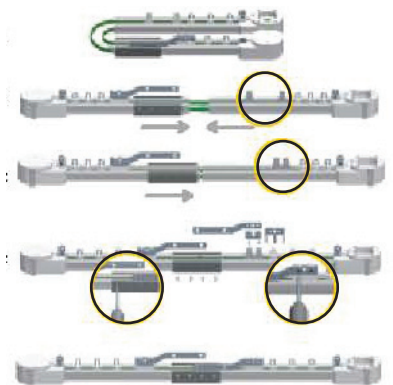
#### Track Folding Method

- 1** Find the overlap arm which is connected to the two ends of the belt
- 2** Unscrew the overlap arm and track connection bracket
- 3** Push track connection bracket to one end
- 4** Move the overlap arm main body by hand, simultaneously undo the track joint joining point
- 5** Fold the track



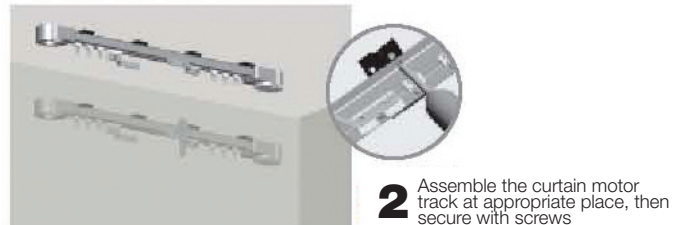
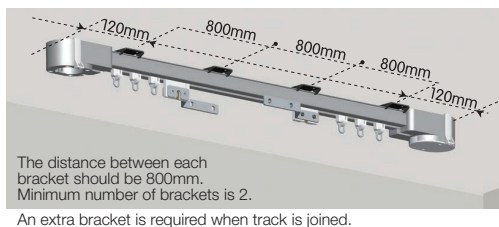
#### Restoring the Track

- 1** Unfold the track
- 2** Join the track gently
- 3** Push the track connection bracket to the joint point
- 4** Screw the track connection bracket and mount the overlap arm
- 5** Restoring the track is completed

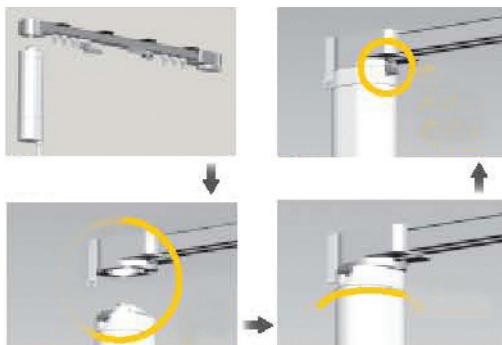


### Installation of curtain motor track

- 1** Check the position of brackets, fix it at an appropriate place on the track



- 3** Assemble the motor
- 4** Check assembly is correct



- 5** Finish assembly